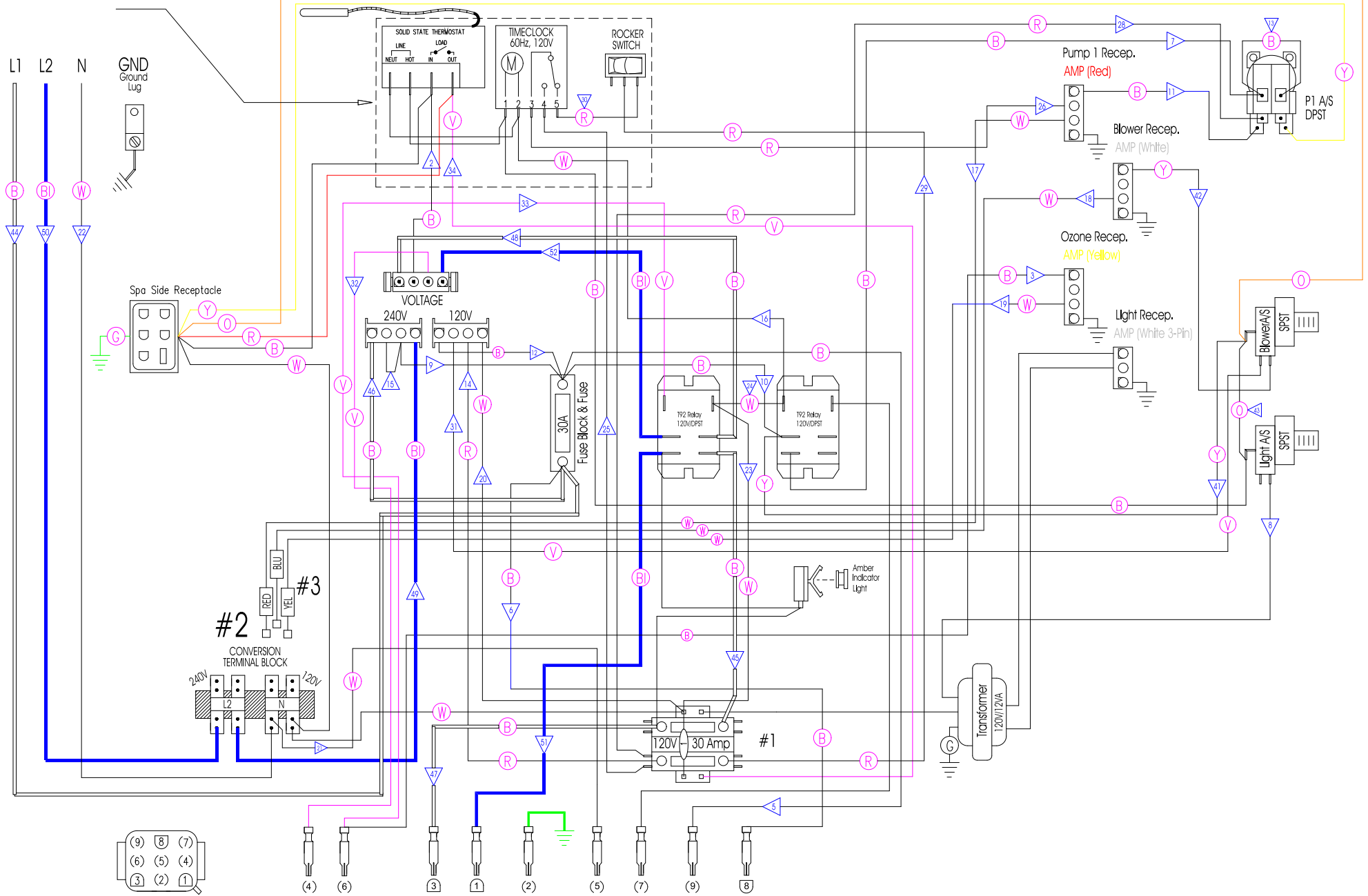


Components inside dotted lines are located on faceplate.



HYDROQUIP™
 13345 Estelle Street Corona, CA 92879
 Phone: (909) 273-7575 Fax: (800) 332-7190

Manufacture Notes: *Component wiring is set at the factory default of 120 VAC unless otherwise noted.
 NOTE #1 - □ Connected to Neutral side of Universal Terminal Block (some models preconfigured at factory to 240VAC).
 NOTE #1 - XXXX Denotes the color of heat shrink used.
 NOTE #1 - ⊕ on Contactor indicates Capacitor.

Dwg. No.: 506V0-DKQ-S
 Approved By:
 Date: 09/13/02
 Diagram No.: 8104

Wire Color Code
 B - Black
 Br - Brown
 R - Red
 O - Orange
 Y - Yellow
 G - Green
 Bl - Blue
 V - Violet
 W - White
 Gr - Gray